

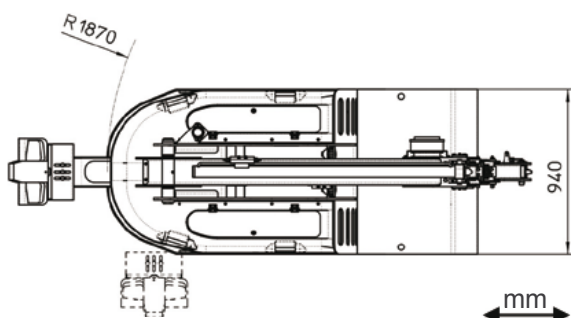
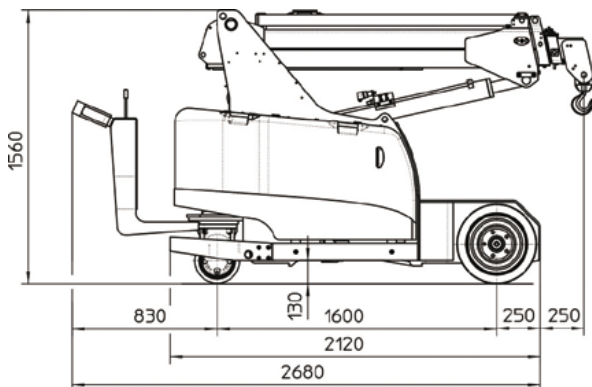
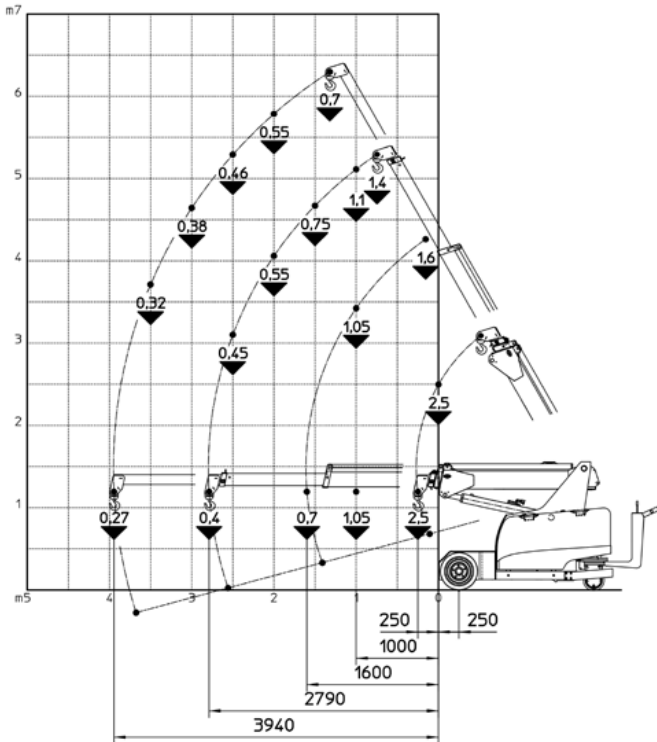


Edition: January 2015
© 2015 JMG Cranes S.r.l. - All rights reserved

MC 20S - Max capacity 2,5 t

Electric mobile crane

MC25 2,5 t



- FRAME:** JMG designed and manufactured, box type, torsion resistant design of high strength structural steel
- BOOM:** Made of moulded and welded quality steel plate, comprised of a base unit, a hydraulic telescopic system and two manual extensions
- TRACTION MOTOR:** Electric motor 2,6 kW 24 V AC, insulation class H
- MOTOR PUMP:** Electric motor 3 kW 24 V DC Motor, insulation class H
- POWER DRIVE:** Electronic speed control, MOSFET type
- BATTERY:** 24 V 420 Ah - battery charging indicator
- TRANSMISSION:** Rear axle by wheel gear
- WHEELS:** Front: n°2 superelastic 18x7-8"
Rear: n°1 polyurethane 255/80
- BRAKING:** Automatic on the rear wheel and parking brake on front wheels
- STEERING:** Steering on the rear wheel. Max. steering angle ± 90°
- TRAVEL CONTROL:** Operated by tiller
- HYDRAULIC SYSTEM:** Powered by a 3 kW silenced gear pump. Actuators controlled levers distributor. Filter and safety valve. 22 MPa max. working pressure
- SAFETY DEVICES:** Electronic load moment indicator
- OPTIONAL EQUIPMENT:** Hydraulic winch - High speed winch - Jib - Non marking tyres - Hydraulic boom with manual extension - Man basket - Hydraulic chain hoist - Cable remote control - Radio remote control
(at extra charge)

CRANE CLASSIFICATION ACCORDING TO UNI ISO 4301-1	A3
EU STANDARD CE	2006/42 CE MD 2004/108 CE EMC 2006/95 CE LVD 2000/14/CE And subsequent modifications
REFERENCE STANDARDS	EN13000:2010 UNI ISO 4301-2:2011 And subsequent modifications
TRACTION	Electric
BOOM ACTIVATION	Hydraulic
POWER TYPE	Electric battery
MAX. CAPACITY (kg)	2.500
CRANE WEIGHT (kg)	2.500
BOOM ANGLE TOPSIDE (°)	60
BOOM ANGLE DOWNSIDE (°)	-15

